

**Burns and Ferrall Locations**

**AUCKLAND**  
 12 Reg Savory Place  
 East Tamaki, Auckland

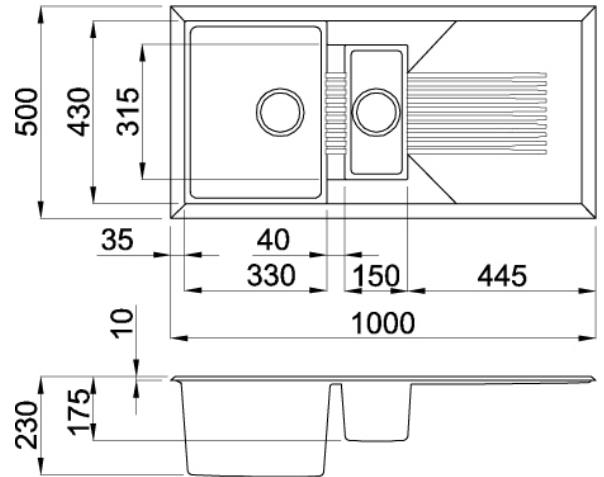
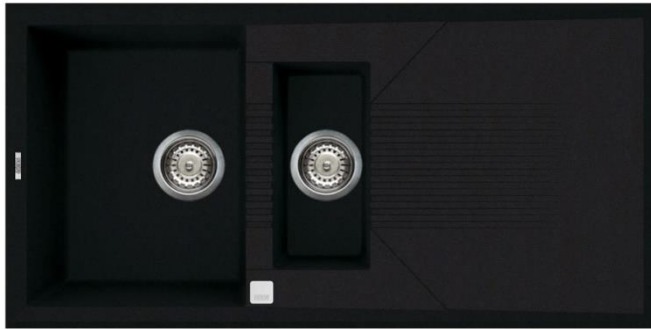
0800 697 465

**WELLINGTON**  
 122-124 Tory Street  
 Te Aro

**HAMILTON**  
 60 Alexandra Street  
 Central

**CHRISTCHURCH**  
 345 St Asaph Street  
 Christchurch

**Product Specification Sheet**  
**ELGT475-40**



**Tekno Insert**

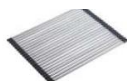
Elleci Tekno Granitek 330/150 Double Bowl with Drainer

<b>Models</b>	<b>Corner Radius</b>
08 ELGT475-40 <i>Black</i>	10mm
08 ELGT475-68 <i>White</i>	
<b>Overall Dimensions W x D</b>	<b>Waste</b>
1000 x 500mm	90mm
<b>Bowl Dimensions W x D x H</b>	<b>Minimum Cabinet Size</b>
330 x 430 x 230mm	625mm
<b>2nd Bowl Dimensions: W x D x H</b>	
150 x 315 x 175mm	
<b>Material &amp; Finish</b>	
Granitek, Honed	

Accessories Available (optional)



**BFDDB**  
 DRAINING BASKET  
 390 X 325mm



**BFDRMB**  
 ROLLER MAT  
 480 X 450mm

E&OE – it is recommended all measurements are taken directly from the product. Specification subject to change without notice, always consult the literature supplied with the product. Coloured images are indicative only.